

AURORALIGHT

PROJECT: _____

SKU #: _____

TYPE: _____

CASCADE

STW637204

The Cascade is a surface-mounted LED wall light that offers excellent illumination of walls and walkways in a stylish design featuring a precision-machined acrylic optic with a prismatic design for uniform distribution.

- Dual listed for interior and exterior wet location use
- Thermally Integrated® w/ Copper Core Technology®
- Cree LED™ XP-L® High Density
- Ideal for stairs, pathways and architecture



CONFIGURATOR:

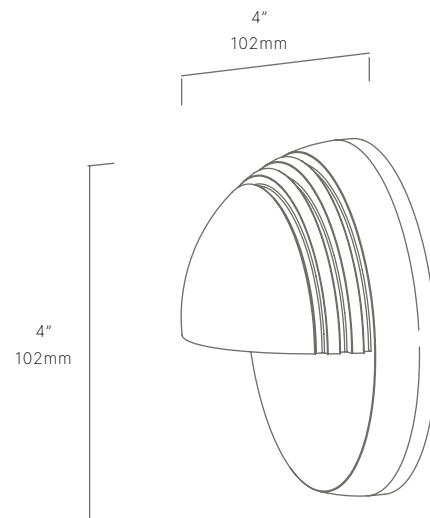
STW637204	LED	FINISH
	<input type="text"/>	<input type="text"/>
	() = Most common configuration	(NAT) Natural Brass
	(2702) 2700K 2W (2704) 2700K 4W (3002) 3000K 2W (3004) 3000K 4W	(BLP) Bronze Living Patina (BLPX) Extra Dark BLP (NI) Nickel PVD

AVAILABLE FINISHES:



FIXTURE DIMENSIONS	D4" x W4"
LIGHT SOURCE	Integrated LED
COLOR TEMPERATURES	2700K, 3000K
WATTAGES	2W, 4W
CRI (RA)	80 CRI
VOLTAGE	12V
DELIVERED LUMENS	314lm (3000K)
DIMMABLE	Yes, Dim to <10% via Transformer
DRIVER	Yes, 12V Integral Constant Current
TRANSFORMER	12V AC/DC (Supplied by others)
MOUNT	Included Backplate
FINISH	Included Natural Brass
MATERIAL	Brass
WIRE LENGTH	24"
LOCATION	Interior & Exterior Wet
CERTIFICATIONS	UL, IP66, IP67, IC, Dark Sky

*For complete warranty terms, please visit: www.auroralight.com/warranty/



P. 760.931.2910

O. 2742 Loker Ave. W Carlsbad CA 92010

W. www.auroralight.com

MADE IN USA
WITH DOMESTIC & IMPORTED MATERIALS



AURORALIGHT

PROJECT:

SKU #:

TYPE:

P. 760.931.2910

O. 2742 Loker Ave. W Carlsbad CA 92010

W. www.auroralight.com

MADE IN USA
WITH DOMESTIC & IMPORTED MATERIALS

